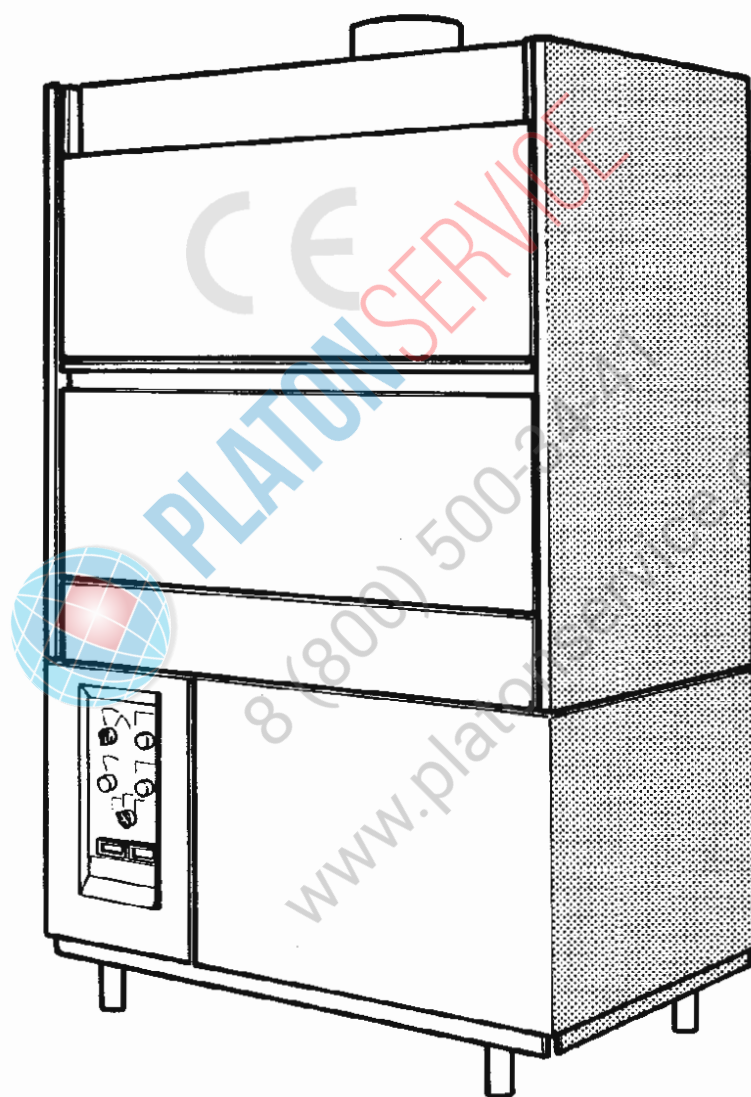


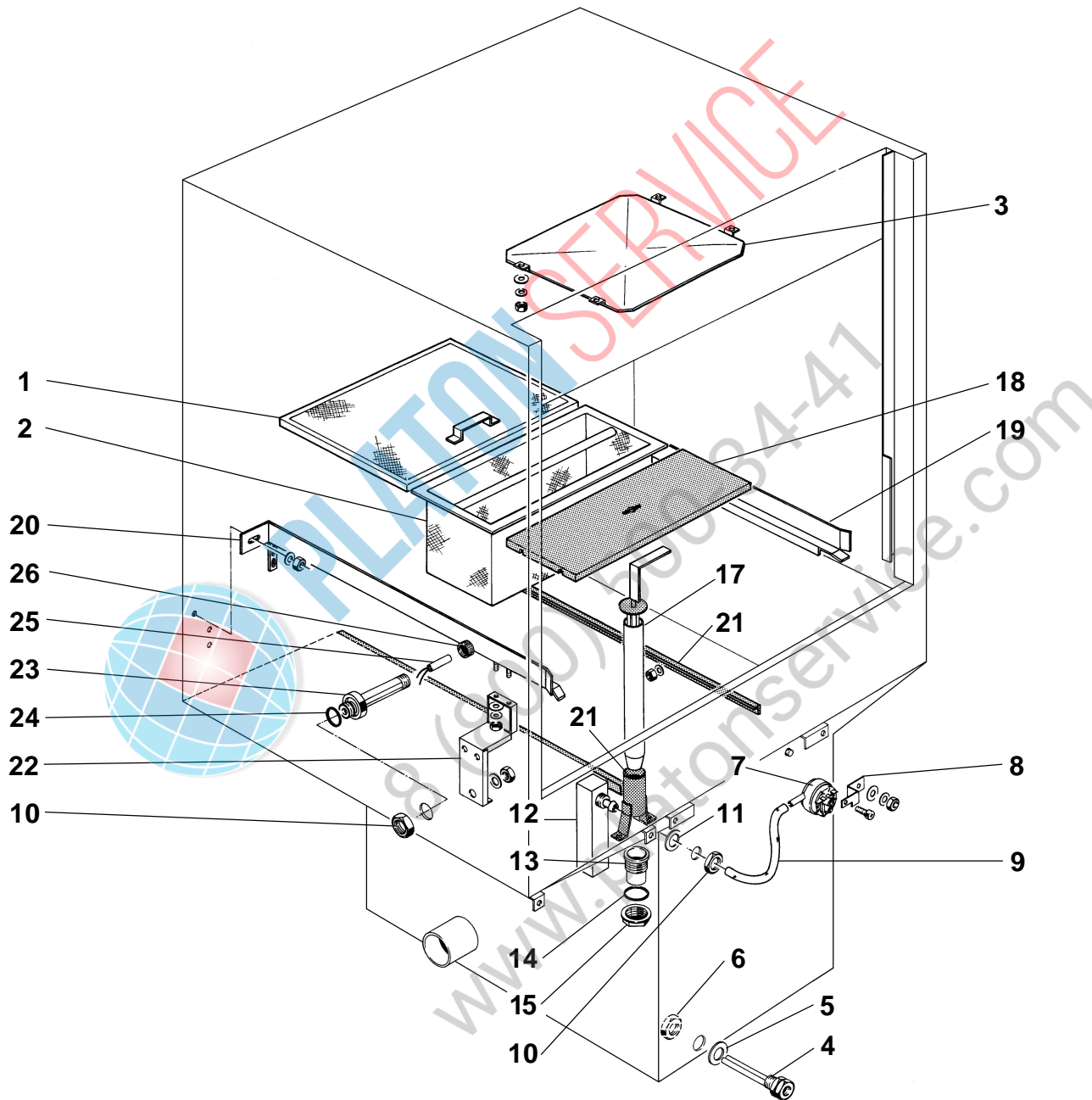
*LAVAPENTOLE - LAVE BATTERIE - WAREWASHERS*

*TOPFSPUELER - LAVA OBJETOS - LAVA UTENSILIOS*

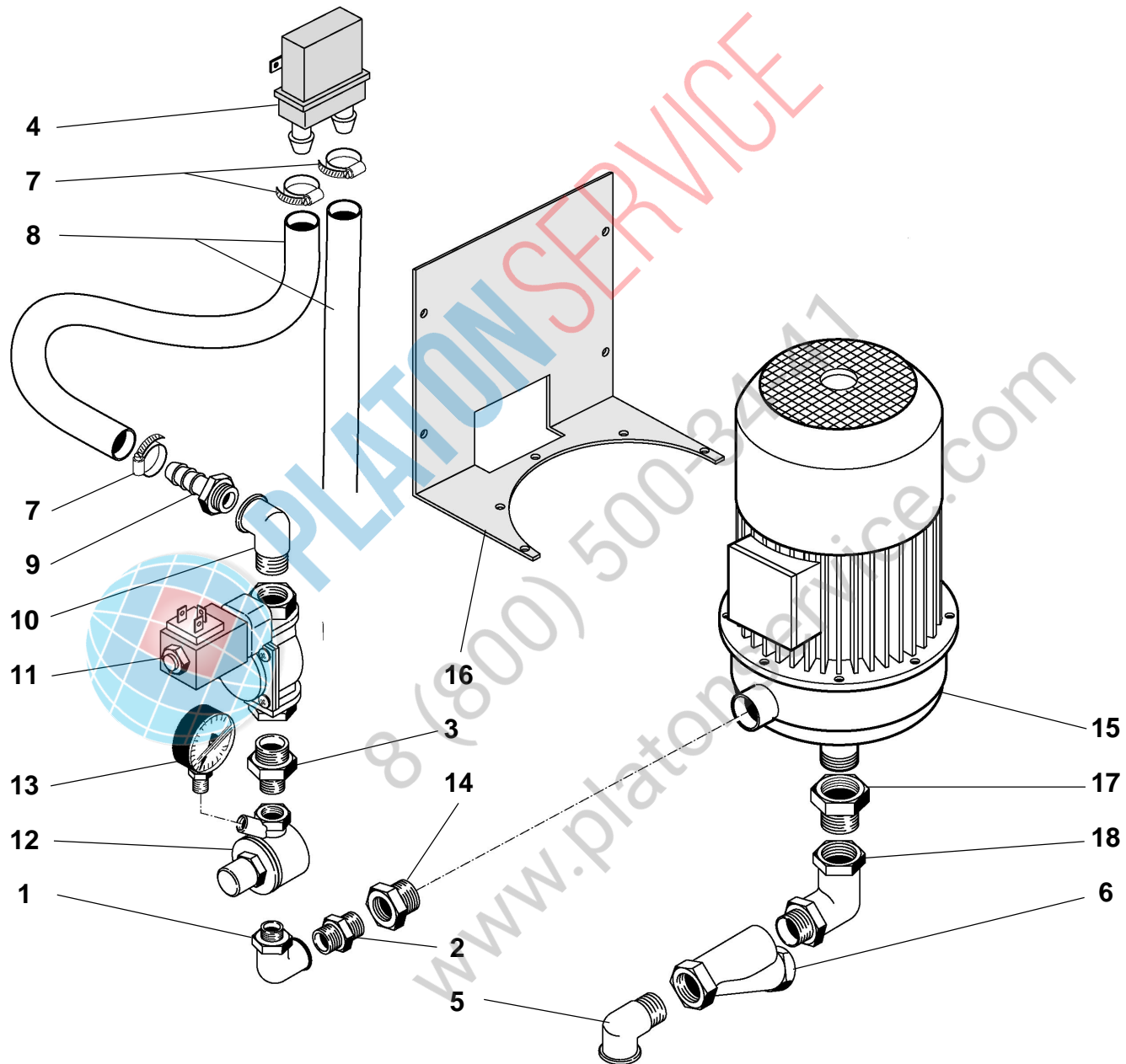
# **LP 109V**



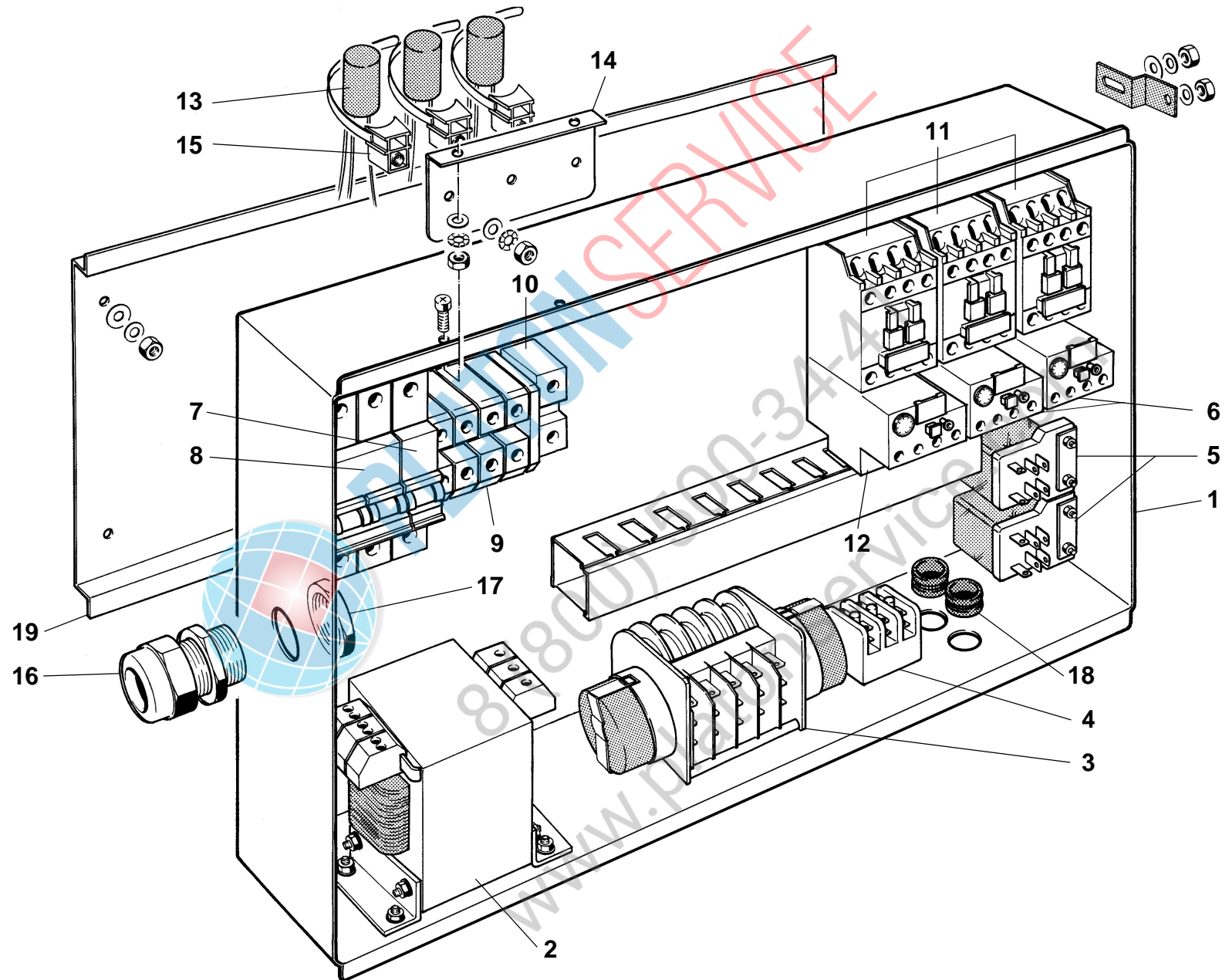
***MANUALE PARTI DI RICAMBIO***  
***SPARE PARTS MANUAL***  
***CATALOGUES PIÉCES DETACHEES***  
***ERSATZTEILEKATALOG***  
***MANUAL PARTES DE REPUESTO***



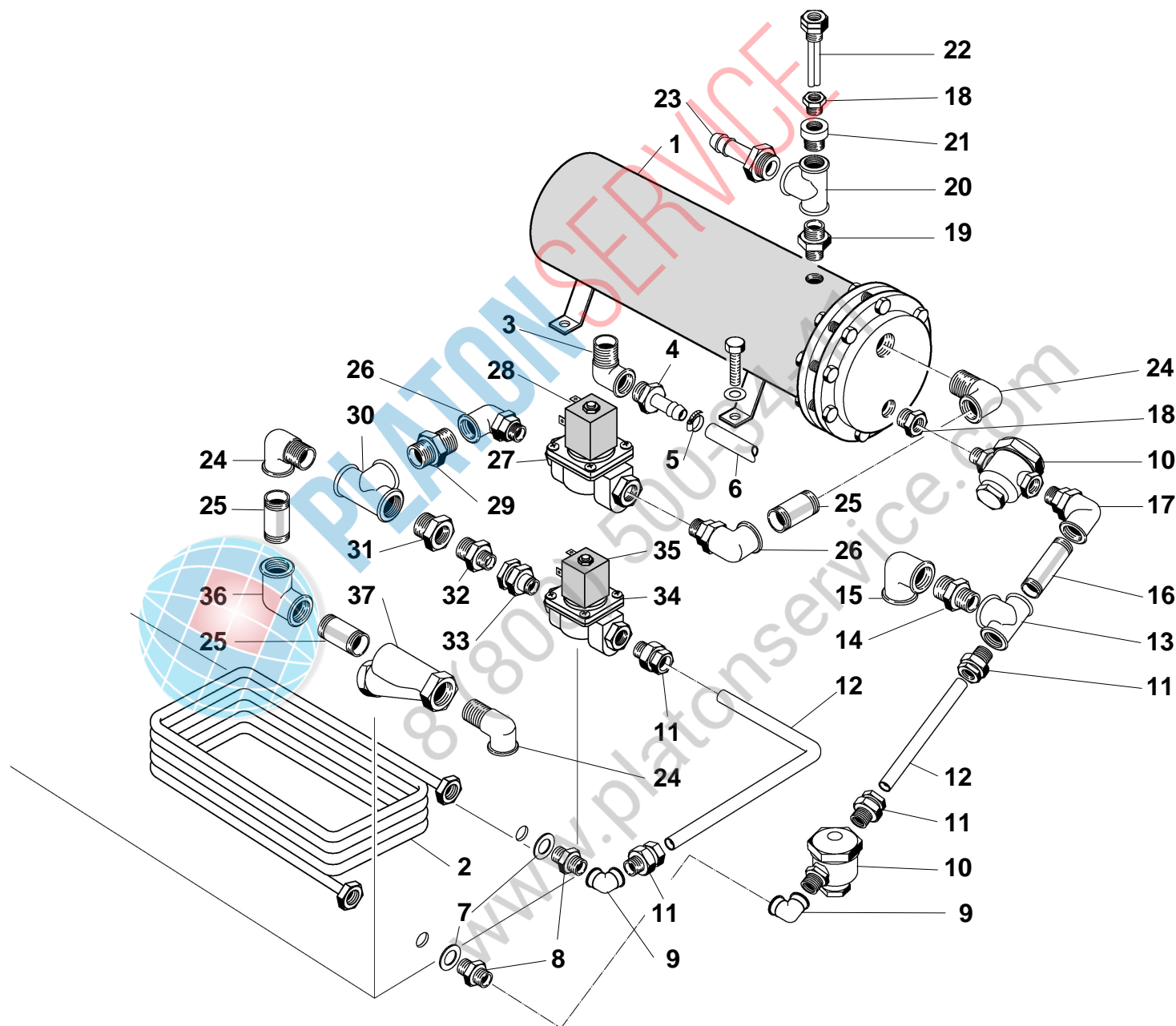
Pos	COD.	COD.	Q.TÀ	DESCRIZIONE	DENOMINATION	DESCRIPTION	BEZEICHNUNG	DESCRIPCIÓN
1	TR0954		1	SCIVOLO VASCA	GLISSIERE	STRAINER	RUTSCHE	RAMPA PILETA
2	TR0955		1	FILTRO VASCA	FILTRE CUVE	TANK SCREEN	TANK FILTER	FILTRO PILETA
3	TR0922		1	PARASPRUZZI	GARDE -JETS	SPRAY GUARD	SPRITZSCHUTS	SALPICADERO
4	TR0298		1	PORTABULBO	SIEGE DE BULBE	SEATING BULB	KUGELSITZ	PORTABULBO
5	903250		1	GUARNIZIONE	JOINT	GASKET	DICHTUNG	GUARNICIÓN
6	902061		1	GHIERA 1/2"	VIOLE	LOCK NUT	NUT MUTTER	ABRAZADERA
7	905276		1	PRESSOSTATO 160/30	PRESSOSTAT	PRESSURE SWITCH	DRUCH WAECHTER	PRESÓSTATO
8	906399		1	SUPP. PRESSOSTATO	SUPPORT PRESSOSTAT	PRESSURE SWITCH SUPP.	DRUCH WAECHTER TRAGER	SOPORTE PRESÓSTATO
9	907271		1	TUBETTO PRESSOSTATO	TUYAU PRESSOSTAT	PRESSURE SWITCH PIPE	SCHLAUCH	TUBITO PRESÓSTATO
10	902100		1	GHIERA 3/8"	VIOLE	LOCK NUT	NUT MUTTER	ABRAZADERA
11	903260		1	GUARNIZIONE	JOINT	GASKET	DICHTUNG	GUARNICIÓN
12	TR0935		1	TAPPOLA ARIA	RESERVOIR	AIR TRAP	LUFTFALLE	TRAMPA DEL AIRE
13	905450		1	RACCORDO SCARICO 1"1/4	RACCORD DE DECHARG.	OUTLET PIPE FITTING	ABLUFANSCHLUSS	EMPALME DES AGOTE
14	904380		1	O-RING	O-RING	O-RING	O-RING	O-RING
15	902080		1	GHIERA 1"1/4	VIOLE	LOCK NUT	NUT MUTTER	ABRAZADERA
16	TR0933		1	GUIDA TROPPOPIENO	COULISSE NIVEAU	OVERFLOW GUIDE	UBERLAUFROHR KORB.	GUIA DE MASIADO LLENO
17	TR0938		1	TROPPOPIENO	NIVEAU	OVERFLOW	UBERLAUFROHR	DE MASIADO LLENO
18	TR0949		1	TRAVERSA GUIDA TROPPOPIENO	SUPP. COULISSE NIVEAU	OVERFLOW GUIDE SUPP.	UBERLAUFROHR TRAG.	TRAVESAÑO GUIA DE MAS. LLENO
19	TR0918		1	GUIDA CESTELLO DX	COULISSE PANIER DROITE	RIGHT BASKET GUIDE	RECHTE KORBUFÜHRUNG	GUIA DERECHA CANASTO
20	TR0919		1	GUIDA CESTELLO SX	COULISSE PANIER GAUCHE	LEFT BASKET GUIDE	LINKE KORBUFÜHRUNG	GUIA IZQUIERDA CANASTO
21	TR0953		1	GUIDA FILTRO DX	COULISSE FILTRE DROITE	RIGHT FILTER GUIDE	RECHTE FILTER TRÄGER	GUIA DERECHA FILTRO
21	TR0983		1	GUIDA FILTRO SX	COULISSE FILTRE GAUCHE	LEFT FILTER GUIDE	LINKE FILTER TRÄGER	GUIA IZQUIERDA FILTRO
22	TR0917		2	SUPP. GUIDA CESTELLO	SUPP. COULISSE PANIER	BASKET GUIDE SUPPORT	KORBUFÜHRUNG TRAG.	SOPORTE GUIA CANASTO
23	TR0995		1	MICROPORTA	MICROPORTE	MICROSWITCH	MICROSCALTER	MICROPUERTA
24	904330		1	O-RING	O-RING	O-RING	O-RING	O-RING
25	TR0309		1	REED	REED	REED	REED	REED
26	906453		1	TAPPO DI CHIUSURA	BOUCHON	PLUG	PROPFEN	TAPÓN DE CERRADURA













Pos	COD.	COD.	Q.TÀ	DESCRIZIONE	DENOMINATION	DESCRIPTION	BEZEICHNUNG	DESCRIPCIÓN
1	TR1080		1	BOILER 30.000 CAL .	SURCHAUFFEUR	BOILER	HEISSWASSERSPEICHER	BOILER
2	TR0466		1	SERPE NTINA 9.000 CAL .	SERPE NTIN VAPEUR	ST EAM COIL	DAMPF S CHANGE	SERPE NTINA
3	TR2420		1	RACCORDO GOMIT O ½"	RACCORD	PIPE FITTING	ANSCHLUSSE	EMPALME A CODO
4	TR2375		1	RACCORDO PORT AGOMMA ½"	RACCORD	PIPE FITTING	ANSCHLUSSE	EMPALME GOME PARA PUERTA
5	902450		1	FASCETT A 15÷24	COLLIER	CLAMP	SHELLE	ABRAZADERA
6	907350		1	TUBO GOMMA 12x22	TUYAU EN CAOUT CHOU C	RUBBER PIPE	GUMMISCHLAUCH	TUBO GOMA
7	904992		2	GUARNIZIONE	JOINT	GASKET	DICHTUNG	GUARNICIÓN
8	TR2319		2	NIPPLO ½"	NIPPLES	NIPPLE	NIPPLE	NIPLE
9	TR2437		2	RACCORDO GOMIT O ½"	RACCORD	PIPE FITTING	ANSCHLUSSE	EMPALME A CODO
10	TR0316		2	SCARICAT ORE CONDE NSA	DE S CHARGE UR CONDE NSE	ST EAM TRAP	KONDE NSWASSERABSCH EIDER	DE S CARGA CONDE NS ACIÓN
11	TR2223		4	RACCORDO ½"	RACCORD	PIPE FITTING	ANSCHLUSSE	EMPALME
12	952205		2	TUBO RAME Ø18	TUBE EN CUIVRE	COPPER PIPE	KUPFER ROHR	TUBO DE COBRE
13	TR2402		1	RACCORDO 3 VIE ½"	RACCORD	PIPE FITTING	ANSCHLUSSE	EMPALME 3 DIRECCIONES
14	TR2347		1	NIPPLO RIDOT TO ¾"-½"	NIPPLES	NIPPLE	NIPPLE	NIPLE REDUCCIÓN
15	TR2439		1	RACCORDO GOMIT O ¾"	RACCORD	PIPE FITTING	ANSCHLUSSE	EMPALME A CODO
16	952209		1	TUBO ZINCAT O ½"-½"	TUYAU	PIPE	ROHR	TUBO CINC
17	TR2333		1	BOCCHETT ONE CURVO ½"	GOULOTTE	PIPE UNION	STUTZEN	RAMPA DE DESAGÜE CURVO
18	TR2366		2	RIDUZIONE ¾"-½"	RE DUCT ION	RE DUCT ION	VERMINDERUNG	REDUCCIÓN
19	TR2316		1	NIPPLO ¾"	NIPPLES	NIPPLE	NIPPLE	NIPLE
20	TR2400		1	RACCORDO 3 VIE ¾"	RACCORD	PIPE FITTING	ANSCHLUSSE	EMPALME 3 DIRECCIONES
21	TR2445		1	PROLUNGA ¾"	PROLUNGE ME NT	EXST ENSION CORD	LEITUNGE STRECKER	PROLONGACIÓN
22	TR0298		1	PORT ABUL BO	SIEGE DE BULBE	SE ATING BULB	KUGEL SITZ	PORT ABUL BO
23	907890		1	RACCORDO PORT AGOMMA ¾"	RACCORD	PIPE FITTING	ANSCHLUSSE	EMPALME GOME PARA PUERTA
24	TR2422		3	RACCORDO GOMIT O 1"	RACCORD	PIPE FITTING	ANSCHLUSSE	EMPALME A CODO
25	952211		3	TUBO ZINCAT O 1"-1"	TUYAU	PIPE	ROHR	TUBO CINC
26	TR2330		2	BOCCHETT ONE CURVO 1"	GOULOTTE	PIPE UNION	STUTZEN	RAMPA DE DESAGÜE CURVO
27	TR0094		1	ELE TTR OVAL VOLA 1"	ELE CT ROVANNE	ELE CT RIC VALVE	ELE KT ROVENT IL	VAL VULA ELE CT RICA
28	TR0104		1	BOBINA 24V	BOBINE	COIL	SPULE	BOBINA
29	TR2312		1	NIPPLO 1"	NIPPLES	NIPPLE	NIPPLE	NIPLE
30	TR2401		1	RACCORDO 3 VIE 1"	RACCORD	PIPE FITTING	ANSCHLUSSE	EMPALME 3 DIRECCIONES
31	TR2369		1	RIDUZIONE 1"-½"	RE DUCT ION	RE DUCT ION	VERMINDERUNG	NIPLE
32	TR2322		1	NIPPLO ½"	NIPPLES	NIPPLE	NIPPLE	REDUCCIÓN
33	TR2335		1	BOCCHETT ONE DIRITTO ½"	GOULOTTE	PIPE UNION	STUTZEN	RAMPA DE DESAGÜE RECTO
34	TR0092		1	ELE TTR OVAL VOLA ½"	ELE CT ROVANNE	ELE CT RIC VALVE	ELE KT ROVENT IL	VAL VULA ELE CT RICA
35	TR0103		1	BOBINA 24V	BOBINE	COIL	SPULE	BOBINA
36	TR2438		1	RACCORDO GOMIT O 1"	RACCORD	PIPE FITTING	ANSCHLUSSE	EMPALME A CODO
37	TR0121		1	FILT RO 1"	FILT RE	FILT ER	FILT ER	FILT RO